

THE DYNAMO CEILING FAN INSTALLATION INSTRUCTIONS

Please read and save these instructions



**These instructions are to be used in
the installation of the following
OXYGEN fans...**

The Dynamo



© 2020 oxygen Lighting. All Rights Reserved.

1. SAFETY RULES

Model #3-113-xx: 13.69 lbs

1. To avoid possible electric shock, **turn off the electricity** at the main fuse box or circuit panel before you begin the fan installation or before servicing the fan or installing accessories.
2. Read all instructions and safety information carefully before installing your fan and **save these instructions**.
3. Make sure all electrical connections comply with local codes or ordinances as well as the National Electrical Code. If you are unfamiliar with electric wiring, please use a qualified and licensed electrician.
4. Make sure you have a location selected for your fan which allows clear space for the blades to rotate, and at least seven (7) feet of clearance between the floor and the fan blade tips.

5. The outlet box and ceiling support joist used must be securely mounted, and **capable of supporting at least 35 pounds**. To reduce the risk of fire, electric shock, or personal injury, use only an outlet box clearly labeled "**Acceptable For Fan Support**".
6. To reduce the risk of personal injury use only approved hanging brackets and screws supplied with the outlet box for mounting to the outlet box.
7. After installation is complete, check that all connections are absolutely secure.
8. Do not insert anything into the fan blades while they are rotating.

9. Do not attempt to control the operation of the fan (or an optional light kit) from any wall control that is not approved by Oxygen for use with its fans. Do not use solid state wall controls. The use of any unapproved control voids the fan's warranty.

TOOLS REQUIRED FOR INSTALLATION

Phillips Screwdriver
Wire Cutters
Electrical Tape
Step Ladder

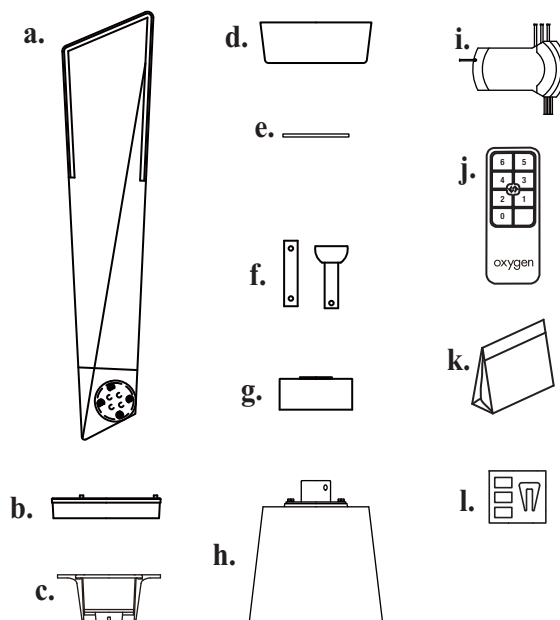
2. UNPACKING YOUR FAN

Unpack your fan and check the contents. Do not discard the carton. If warranty replacement or repair is ever necessary the fan should be returned in original packaging. Remove all parts and hardware. Do not lay motor housing on its side - because the decorative casing may shift. Check all visible screws, bolts and nuts for tightness. Examine all parts. The following parts should be included:

1. Set of blades (a)
2. Blade holder (b)
3. Hanging bracket (c)
4. Ceiling canopy (d)
5. Canopy cover (e)
6. Downrod assembly (4") and Alternate downrod (6") (f)
7. Yoke cover (g)
8. Fan motor assembly (h)
9. Receiver incl. 5 wire nuts (i)
10. Transmitter incl. 3V (CR2032) battery, 2 mounting screws and holder (j)
11. Parts bags (k) containing:
 - Blade attachment hardware (Screws/washers, washers may be attached to screws)
 - Blade holder attachment hardware (Screws/washers, washers may be attached to screws)
 - Mounting hardware (wire nuts, wood screws, machine screws, lock washers, spring washers, metal washers.)
12. Blade balancing kit (l)

NOTE:

Some Oxygen fan models will have slightly different parts than what is shown here depending upon the design you have chosen. Basic installation procedures are similar for all models.



IF YOU FIND THAT PARTS ARE MISSING, CONTACT YOUR DEALER FOR REPLACEMENT, OR CALL OXYGEN DIRECTLY AND WE WILL MAIL REPLACEMENTS TO YOU IMMEDIATELY.

3. MOUNTING OPTIONS

1. Disconnect the power by removing fuses or turning off circuit breakers.

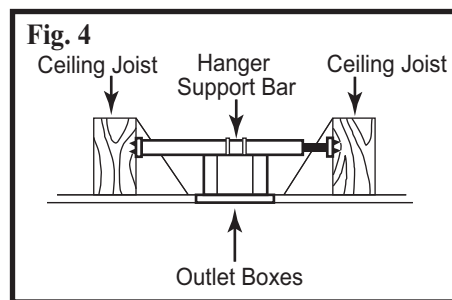
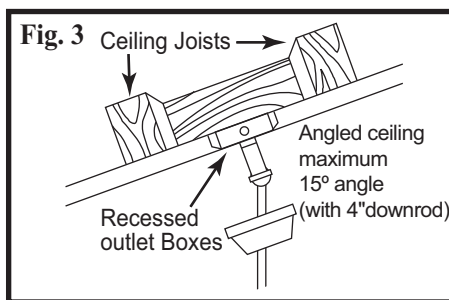
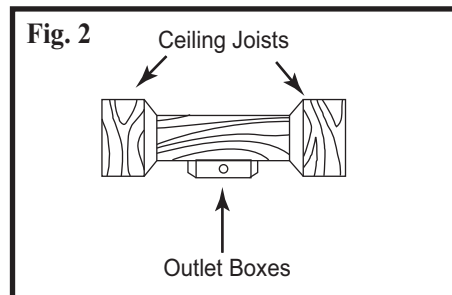
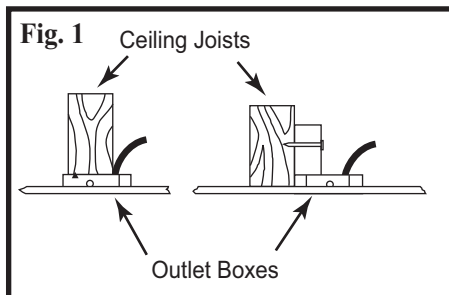
2. If there is an existing outlet box, ensure it is clearly marked "Acceptable for Fan Support of 15.9 kg (35 lbs) or Less". If it is not so marked, it must be replaced with an approved one.

3. Secure the outlet box (or make sure the existing box is secured) directly to the building structure. Use appropriate fasteners and building materials.

4. Figures 1,2 and 3 are examples of different ways to mount the outlet box in different situations. A longer downrod may be required in sloped ceiling situations to maintain proper blade clearance.

5. To hang the fan in locations where no ceiling joist is available, a hanger support bar may be required (Figure 4). Hanger support bars are available at most area home centers.

WARNING: TO REDUCE THE RISK OF ELECTRIC SHOCK, FIRE, OR PERSONAL INJURY, MOUNT THE FAN ONLY TO AN OUTLET MARKED ACCEPTABLE FOR FAN SUPPORT AND USE MOUNTING SCREWS PROVIDED WITH THE OUTLET BOX.



CAUTION: TO REDUCE THE RISK OF PERSONAL INJURY, INSTALL THE PRIMARY MOUNTING MEANS AND USE ONLY THE HARDWARE PROVIDED WITH THE FAN.

4. HANGING YOUR FAN

WARNING -Turn off the power!

1. Remove the motor housing cover and metal washer by removing the six screws from the top of the motor housing. (Fig. 5)

2. Attach the blades to the blade holder with the screws and rubber washers. Ensure all screws are used for each blade. (Fig. 6)

3. Attach the blade holder assembly to the motor assembly using the supplied screws. DO NOT bend the blade when installing the blades. (Fig. 7)

4. Place the motor housing over the motor. Align the mounting holes with the holes in the motor and fasten using the six screws with lock washers and metal washer previously removed. (Fig. 8)

5. Attach hanging bracket to outlet box using screws and washers provided with the outlet box. (Fig. 9)

Fig. 5

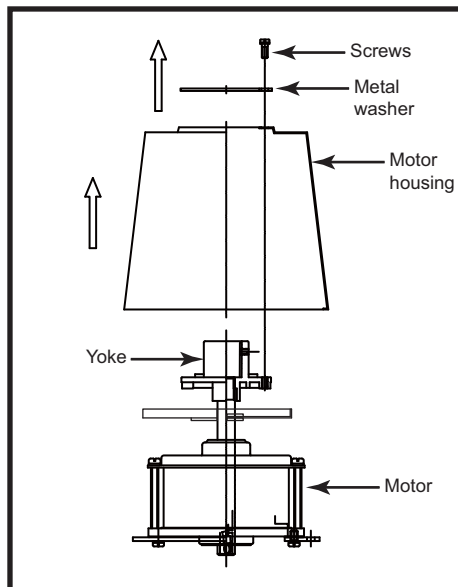


Fig. 8

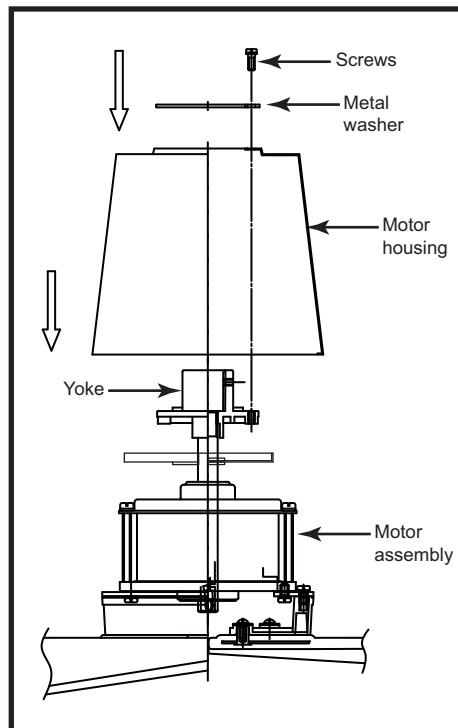


Fig. 6

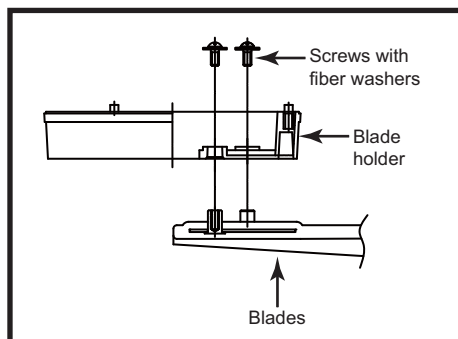


Fig. 9

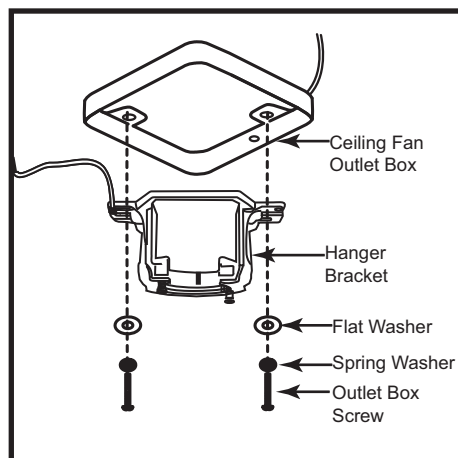
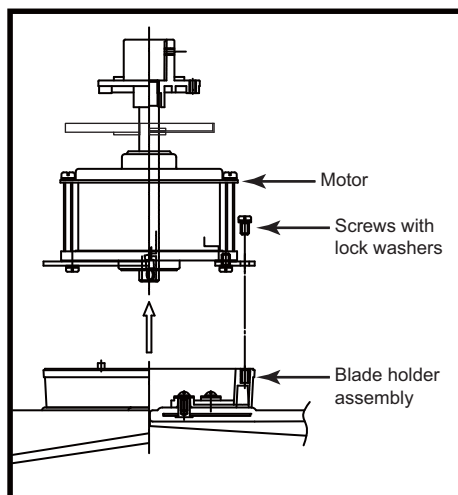


Fig. 7



5. HANGING YOUR FAN

WARNING -Turn off the power!

DO NOT fasten the blades to the fan until it is assembled and hanging from the ceiling. To do so now will likely bend the blade arms and almost certainly cause wobble.

1. If not already affixed to the hanger bracket, place the rectangular rubber isolators between the hanger bracket and outlet box. Secure the hanger bracket to the outlet box using the 2 long steel screws supplied with the outlet box.

2. Remove the set pin and safety lock clip from the yoke on top of the motor assembly. Slide the downrod through the canopy and canopy cover. Slide the yoke cover onto the downrod (Fig. 10). Feed the wires from the fan motor through the downrod assembly.

3. (Fig. 11) Attach the downrod assembly (downrod, yoke cover, canopy and canopy cover) to the motor by sliding the downrod into the yoke on top of the motor assembly. Slide the set pin through the hole in the yoke, downrod and secure it with the safety lock clip. Tighten the set screws on yoke. The yoke cover will lower down to conceal the yoke. Feed the wires through the downrod ball.

4. Lift the fan motor without the blades and place into the hanger bracket, rotating the ball until the groove engages the tab on the hanger bracket. This locks the ball mount and fan motor, preventing fan rotation during operation. (Fig. 12)

Fig. 10

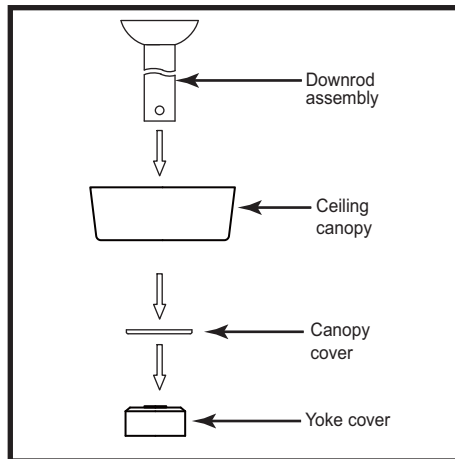


Fig. 11

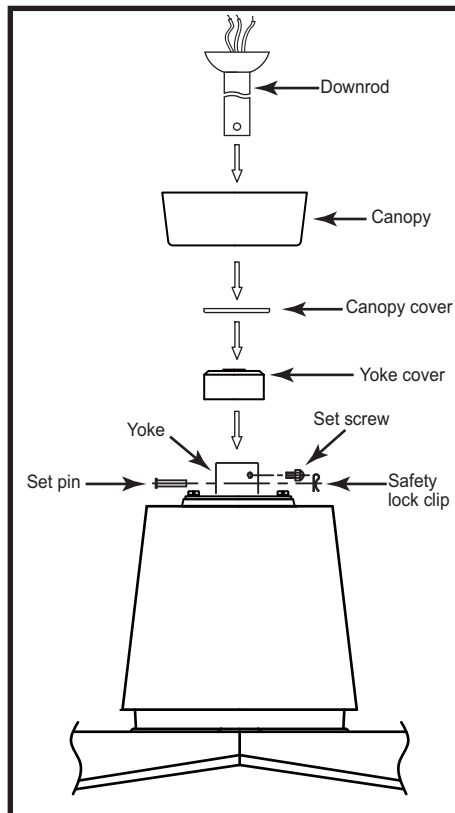
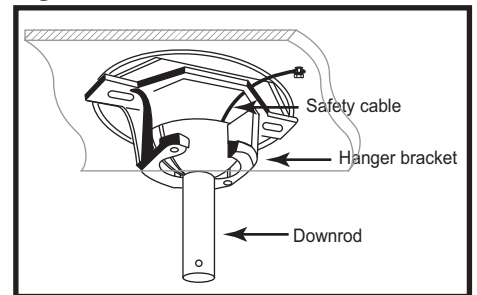


Fig. 12



6. ELECTRICAL CONNECTIONS

REMEMBER -Turn off the power! **NOTE** - Control must be installed within 30 feet of fan.

Use the wire nuts supplied with your fan when making connections. Secure the connectors with electrical tape and make sure there are no loose connections or wire strands.

1. Make wire connections from the fan to the wall control receiver unit. For this step use the bundle of 3 wires on the receiver. (Fig. 13)

- Connect the **YELLOW** fan wire to the **YELLOW** receiver wire.
- Connect the **GRAY** fan wire to the **GRAY** receiver wire.
- Connect the **RED** fan wire to the **RED** receiver wire.

2. Connect the wiring from the ceiling to the receiver unit. (Use the 2 wire bundle on the receiver.) Secure with supplied wire nuts.

- Connect the **BLACK** building supply wire to the **BLACK** receiver wire.
- Connect the **WHITE** receiver neutral wire to the **WHITE** building neutral wire.
- Connect the **COPPER** building ground wire to the **YELLOW/GREEN** fan ground wire. Also connect the two **GREEN** wires (from fan) to building ground wire.

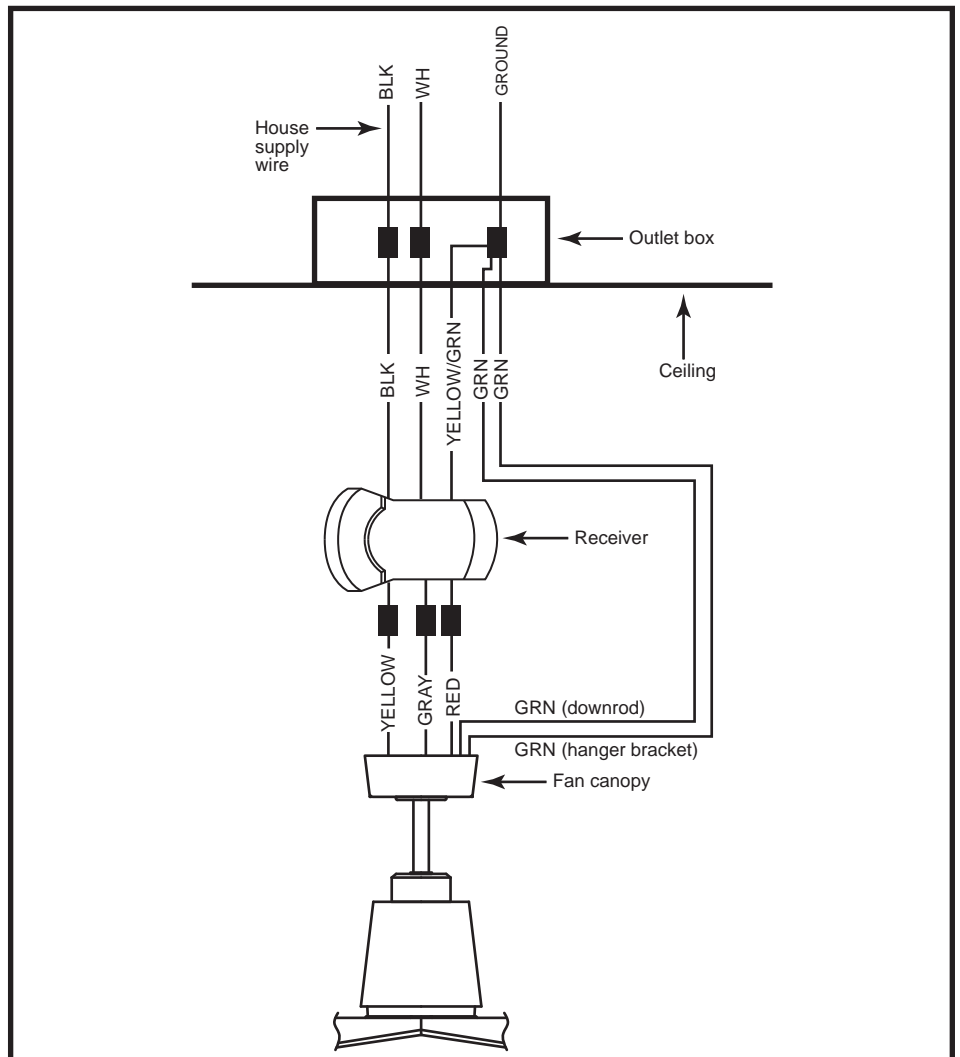
If your junction box has a ground wire (green or bare copper), connect the transmitter's ground wire to it. Otherwise, connect the transmitter ground wire directly to one of the screws from the outlet box.

Carefully tuck the connected wires inside the junction box. Secure the transmitter with the two screws provided. Attach the face plate over the transmitter with the two screws provided.

4. Put the receiver unit inside the canopy. Proceed to Step 7 - Completing the Installation.

Use **ONLY** wall controls approved by Oxygen. Use of unapproved wall controls will cause unacceptable humming noise, and avoids the fan warranty.

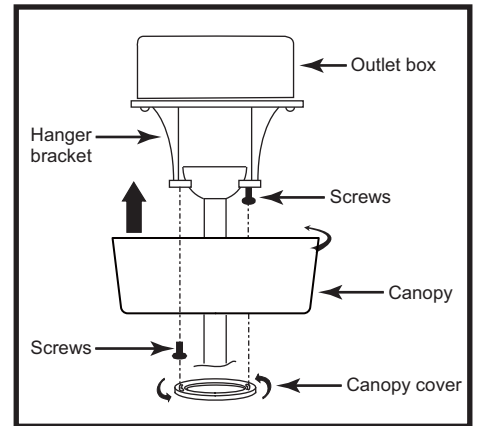
Fig. 13



7. COMPLETING THE INSTALLATION

1. Make sure the wiring is safely inside the outlet box as instructed in **Step 6 - Electrical Connections**. To install the canopy, slide the canopy up to hanger bracket and place the key hole on the canopy over the screw on the hanger bracket, turn canopy until it locks in place at the narrow section of the key holes. (Fig. 14) Align the circular hole on canopy with the remaining hole on the hanger bracket, secure by tightening the two set screws, lift canopy cover and attach by turning clockwise. **Note:** Adjust the canopy screws as necessary until the canopy and canopy cover are snug.

Fig. 14



8. INSTALLING THE BATTERY

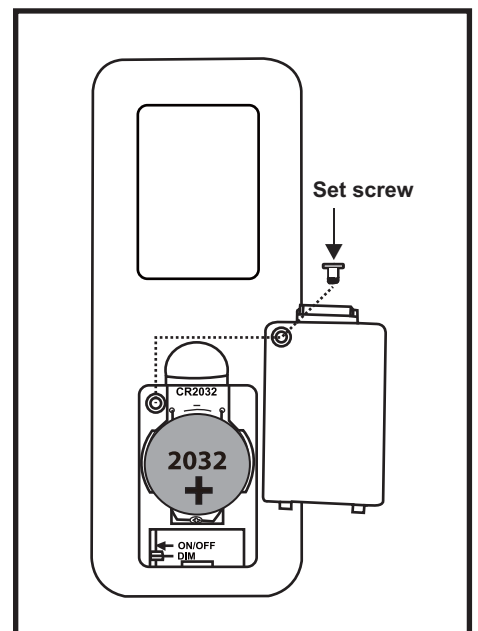
Warning: Chemical Burn Hazard. Keep batteries away from children.

This product contains a lithium button/coin cell battery. If a new or used lithium button/coin cell battery is swallowed or enters the body, it can cause severe internal burns and can lead to death in as little as 2 hours. Always completely secure the battery compartment. If the battery compartment does not close securely, stop using the product, remove the batteries, and keep it away from children. IF you think batteries might have been swallowed or placed inside any part of the body, seek immediate medical attention.

The batteries shall be disposed of properly, including keeping them away from children; Even used cells may cause injury.

Remove the set screw on the back of transmitter, take out the battery cover. Insert the 3 volt battery (included) and make sure they are seated correctly in each recess with the Positive + sign facing up. When remove or insert the batteries, use a suitable screwdriver to loosen or tighten the screws and open the back cover. (Fig. 15)

Fig. 15



8. OPERATING YOUR TRANSMITTER

Your DC brushless motor is equipped with an automatically learned type remote control. There is no frequency switches on the receiver or transmitter. The fan can start to use once the pairing process is done.

Operation Instructions

A. 1, 2, 3, 4, 5 and 6 buttons:

These six buttons are used to set the fan speed as follows:

- 1= minimum speed
- 2= low speed
- 3= medium low speed
- 4= medium speed
- 5= medium high speed
- 6= high speed

B. 0 button:

This button turns the fan off.

C. The "↻" button is used to set the fan forward or reverse, press the button forward (for warm weather) or reverse (for cool weather).

NOTE: To operate the reverse function on this fan, press the reverse button while the fan is running.

Pairing Process

With the fan's power off, restore power to the fan. Press and hold "0" button for about 5 seconds and release. If optional light kit is installed, the light kit will flash twice and the signal light on the remote control will come on when the button is pressed. The fan has completed the pairing process with the remote control and is ready for use.

NOTE: A single fan can be controlled with as many as 3 remote controls in one room. Every control will need to repeat the pairing process based on instructions above and all controls must be within 30 feet of the fan.

If a room has two fans installed, each fan will need its own remote control. A single control CAN NOT control more than one fan. Each fan will need to go through the pairing process individually. While running the pairing process on the first fan, turn power off to the second fan. When finished the pairing process for the first fan, turn the power off and restore power to the second fan and run the pairing process- **NOTE** the "0" button must be pressed within 60 seconds of restoring power to the second fan.

NOTE: If multiple fans are installed on the same circuit, each fan must have its own switch leg. Each fan and remote control pair must have its own wire from the control to the fan (the wire from the control to the fan can NOT be shared). There can NOT be a jumper wire running from fan to fan.

The receiver provides the following protective function:

1. **Lock position:** The DC motor has a built-in safety against obstruction during operation. The motor will be locked operation and disconnect power after 30 seconds of interruption. Please remove obstacles before re-set.
2. **Over 80W protection:** When the receiver detects motor power consumption which is greater than 80W, the receiver power will be stopped and operation will immediately discontinue. Turn the receiver power on after 5 seconds.

Fig. 16

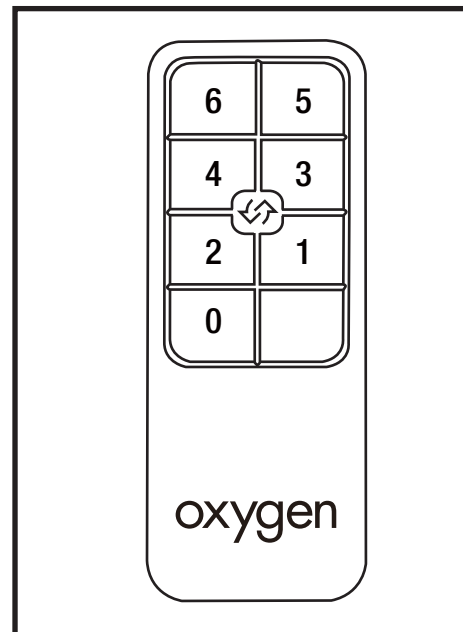
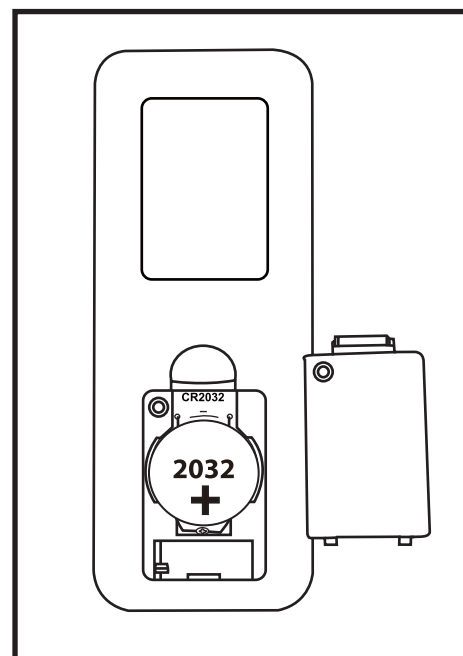


Fig. 17



9. FAN OPERATION AND CARE

1. A ceiling fan is an environmentally smart choice to cool as well as to help warm your home or office. Adjust your HVAC thermostat during fan use to save additional energy and money on your air conditioning and heating utility bills. You should see a significant reduction in both your heating and cooling costs by regular use of your fan.

Do not hesitate to use your fan during summer and winter months. In summer, (Fig. 18) using the reverse switch, adjust the fan's direction so cool air is blown down, producing a cooling breeze. In winter, (Fig. 19) reverse the fan so that an upward airflow will push warm air off the ceiling and circulate it downwards into the living area. In winter months, use the fan at a lower speed than summer.

2. Periodically check tightness of all screws securing the blades to the blade arm attachment points. A clicking or a rattling noise is a sure indication of loosening screws. Since screws will invariably work loose over time, at least once a year, tighten all the screws attaching blades to blade arms. **Do not bend blade arms when cleaning or servicing the fan.**

3. Clean you fan periodically using only a cloth dampened with a mild detergent solution for all hardware - never use solvents. The finish plating is lacquered to prevent tarnishing. Use a lint-free cloth with clean water to clean blades.

4. You will never need to oil or lubricate your fan. Its permanently sealed bearings will provide trouble free, silent operation for many years.

5. If repairs or servicing are ever required, to avoid possible electric shock, **turn off the electricity** at the main fuse or circuit panel before you begin.

Fig. 18

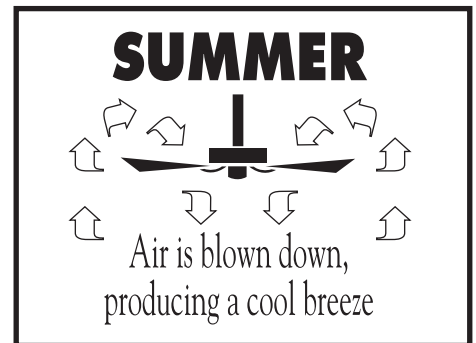
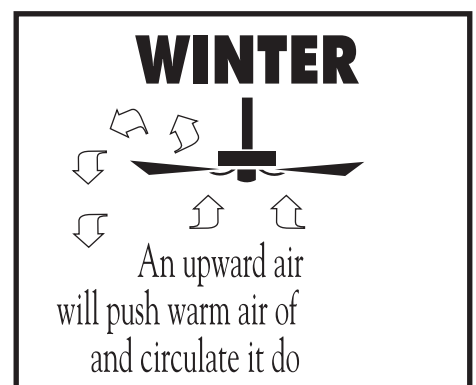


Fig. 19



10. TROUBLESHOOTING

FAN WILL NOT START

1. Check that the electricity has been turned on at the circuit breaker which had probably been turned off during installation.
2. Turn off the electricity. Check all connections in the wiring of the fan at the ceiling and make sure it follows the wiring instructions outlined in this manual.
3. Be sure ON/OFF power switch on the wall control is in ON position.
4. Be sure the wall control is installed within 30 feet of ceiling fan.

NOISE

Note: Always allow a day or two "run-in" time for any new fan at medium or high speed. When attempting to diagnose noise, listen carefully from several sides to try and isolate the location of the noise (blade, upper end, motor, light kit, etc.)

1. Tighten all screws attaching blades to blade arms. Remember to tighten these screws at least once a year because they may loosen slowly over time and cause a clicking noise.
2. Turn off the power. Loosen the canopy and check that the wiring and/or wire nut connectors are not resting against the canopy, possibly vibrating while the fan is on.

3. Use of a standard light rheostat or an unapproved fan wall control to control the fan speed will always cause an annoying "hum". Many fan motors do not work quietly with solid state variable speed controls.

4. Check that the rubber gasket on the mounting bracket has been installed if called for in the installation instructions.

5. Check that the canopy is not touching the ceiling.

6. Check that all screws on the motor housing and the bottom housing are tight.

FAN TURNS, BUT DOES NOT MOVE MUCH AIR

1. The fan may be running in reverse. Press the reverse button on transmitter to set the fan in forward operation.

2. The distance from the ceiling to the blades may be too small. For downrod fans, optimal placement would be 8-9 feet from the floor.

3. The room may contain items which obstruct the air flow.

4. The fan may be too small for the size of the room.

EXCESSIVE WOBBLE

Note: A small amount of wobble is considered acceptable and should not be considered a defect.

1. Make certain all blades are tightly attached to each blades' respective blade arm.

REPLACEMENT PARTS

For replacement parts, contact your local dealer.